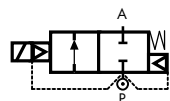


2/2 WAY PILOT OPERATED SOLENOID VALVE, G 1 1/4" ÷ G 2"



normally closed

TYPE: D223/224/225

TECHNICAL SPECIFICATIONS

Media: water, oil, air
Media temperature: -10°C ÷ +90°C
Ambient temperature: -10°C ÷ +50°C
Body material: brass (CW617N EN 12165)
Operator material: stainless steel
Operator seal material: NBR
Diaphragm material: NBR
Coil power: AC 18VA (holding)
AC 36VA (inrush)
DC 14w
Protection class: IP 65 (with connector)
Speed control screw as standard

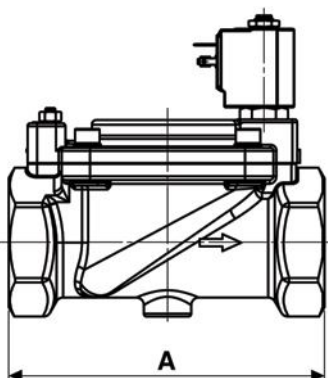
OPTIONS

Normally open with class "H" coils only (e.g. code RD224DBK 7701)
Manual override (e.g. code D223DBKM)
EPDM seal for air and hot water MAX 120°C (e.g. code D223DEK)
FKM seal for air, water, oil MAX 130°C (e.g. code D223DVK)
EEX proof version see page 43

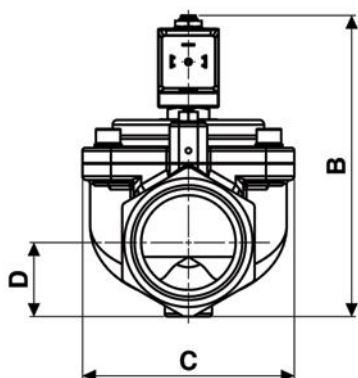


SELECTION TABLE

VALVE	G connection	nominal diameter	flow rate Kvs	OPD			COILS	
				min	max AC	max DC	code	[Volts/Hz]
code	[ISO 228 G]	[mm]	[l/min]	[barg]	[barg]	[barg]	code	[Volts/Hz]
D223DBK	1 1/4"	40	370	0.5	16	16	7250	24v DC
D224DBK	1 1/2"	40	400	0.5	16	16	7200	24v 50/60Hz
D225DBJ	2"	50	540	0.5	16	16	7400	110v 50Hz - 120v 60Hz
							7600	200v 50Hz - 220v 60Hz
							7700	230v 50Hz - 240v 60Hz



Flow direction overseat 1 → 2



DIMENSIONS & WEIGHTS

G connection	A	B	C	D	weight
[ISO 228 G]	[mm]	[mm]	[mm]	[mm]	[kg]
1 1/4"	140	140	96	31	2.8
1 1/2"	140	140	96	31	2.8
2"	168	158	112	39	3.9