

# HANDLE FOR BUTTERFLY VALVE

## TYPE 2955

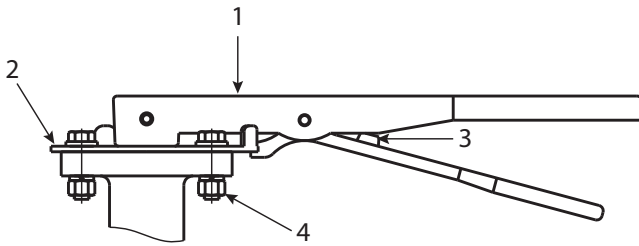


### GENERAL

MATERIAL HANDLE: CAST IRON ASTM 47  
 MATERIAL TOP PLATE: STAINLESS STEEL AISI 304  
 SURFACE: BLUE RAL 5015  
 STEM: 90°

### OPTION

MATERIAL HANDLE: STAINLESS STEEL AISI 304 / AISI 316  
 MATERIAL TOP PLATE: SAME AS HANDLE



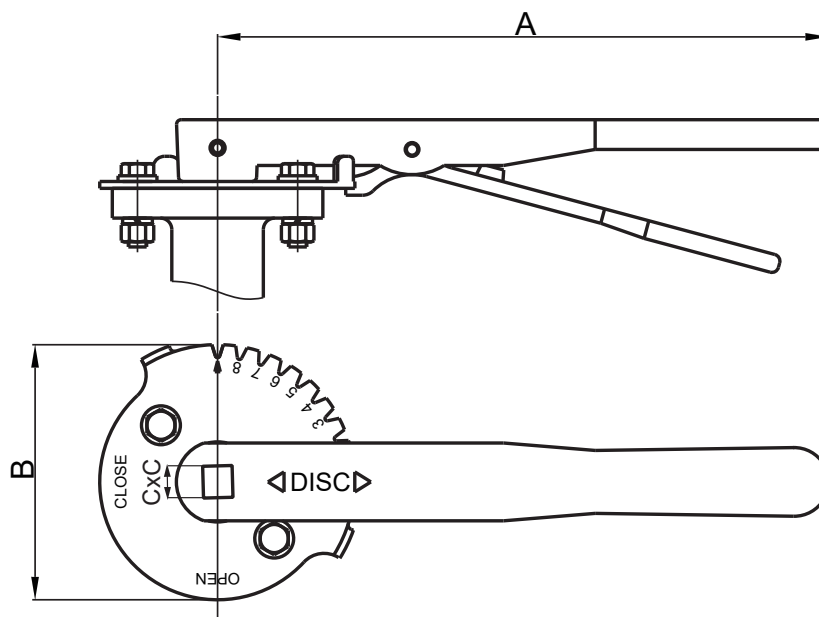
POS	DESCRIPTION	MATERIAL
1	HANDLE	CAST IRON ASTM 47
2	TOP PLATE	STAINLESS STEEL - AISI 304
3	SPRING	SPRING STEEL
4	BOLT/NUT	STAINLESS STEEL - AISI 304

### DESCRIPTION

- **Solid lever** for manual operation of butterfly valve Type E6730/E6830 and E6330/E6430.
- **The notched top plate** enables fixation of the valve in various positions.
- **Available in stainless steel on request.**
- **Convenient installation and usage.**

DS-2955-UK-02-2018-REV. A  
 We reserve the right for changes.

## DIMENSIONS



DIM	HANDLE FOR TYPE E6730/E6830				
[MM]	A [MM]	B [MM]	CXC [MM]	ISO 5211	WEIGHT [KG]
DN32-80	265	99	11 X 11	F05	0.7
DN100-125	265	99	14 X 14	F07	0.7
DN150	265	99	17 X 17	F07	0.7
DN200	355	161	17 x 17	F10	1.7

DIM	HANDLE FOR TYPE E6330/E6430				
[MM]	A [MM]	B [MM]	CXC [MM]	ISO 5211	WEIGHT [KG]
DN50	265	99	11 X 11	F05	0.7
DN65	265	99	14 X 14	F05	0.7
DN80-100	265	99	14 X 14	F07	0.7
DN125	265	99	17 X 17	F07	0.7
DN150	355	161	17 x 17	F10	1.7