

MECHANICAL LIMIT SWITCH

Type 5320



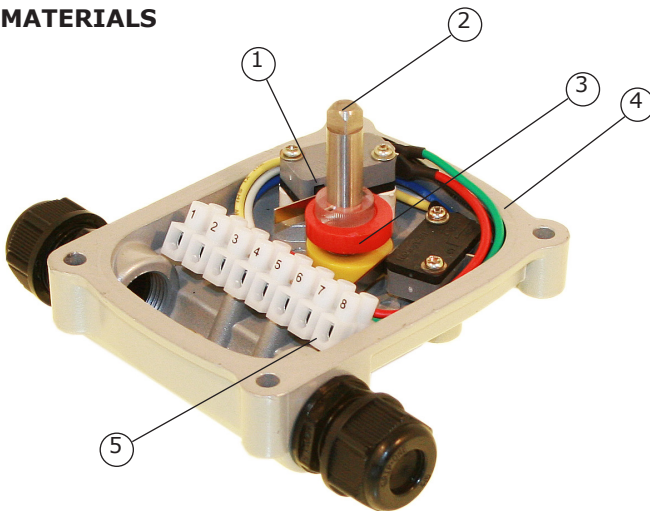
GENERAL

Contact type: Mechanical (2 x SPDT)
 Voltage: 250V AC/16A
 250V DC/ 0.3A
 125V AC/16A
 125V DC/0.6 A
 30V DC/10A
 Cable connection: 2 x M20
 Temperature: -20°C. to 80°C.
 Material: House: Die-cast aluminum
 Shaft: Stainless steel
 Indicator: Polycarbonate
 Axle height: 17 mm.
 Tightness class: IP 67 / NEMA4 & 4X
 Mounting bracket: VDI / VDE 30 x 80, H=20

OPTIONS

Cable connection: 1/2" NPT, PG13.5, PF 1/2"
 Mounting bracket: VDI / VDE 30 x 80, H=30 mm.
 VDI / VDE 30 x 130, H=30/50 mm.
 Indicator: 3-way
 Switch: Inductive proximity sensor

MATERIALS

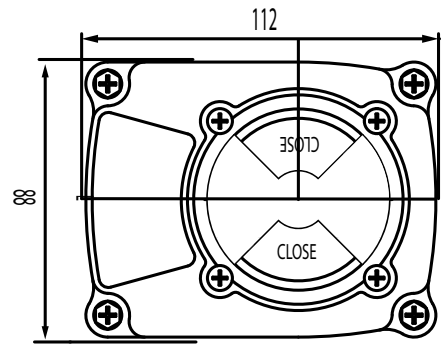
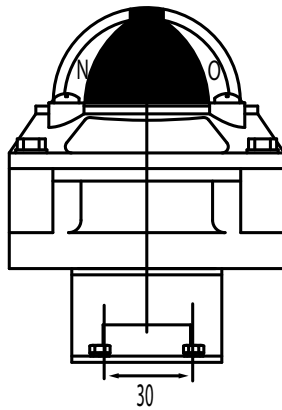
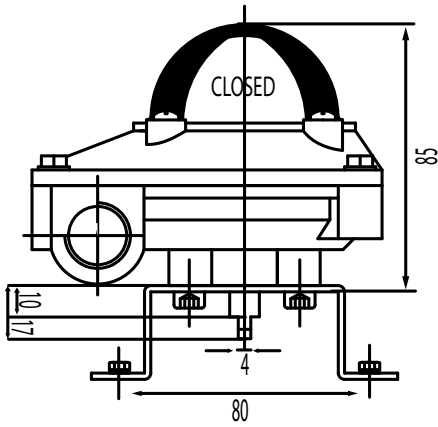


NO.	DESCRIPTION	MATERIAL
1	SWITCH	2-SPDT
2	AXLE	STAINLESS STEEL
3	CAM	POLYCARBONATE
4	BODY	ALUMINUM DIE-CAST
5	TERMINAL STRIPS	POLYCARBONATE

DESCRIPTION

- **Body in corrosion resistant and impact resistant aluminium.** Powder coated.
- **Supplied with standard mounting bracket and cable connection.**
- **Tightness class IP67** as standard and IP68 as option.
- **Captive cover bolts.**
- **Excellent visual indication** of open or closed valve. Can be changed to suite rotation direction.
- **Supplied with mechanical switch set** as standard. Can be supplied with inductive sensors PNP / NPN with various voltages.
- **Approved in accordance with the following standards:** NEMA, IP67 and CE.
- **UV-resistant glass**, which does not become dull over time.

DIMENSIONS



ELECTRICAL DIAGRAM

