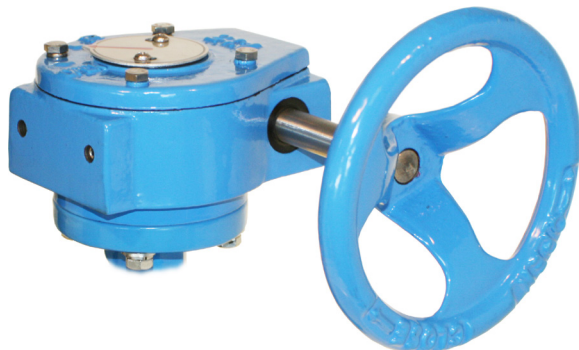


GEAR BOX FOR BUTTERFLY VALVE TYPE E6730

TYPE 5596

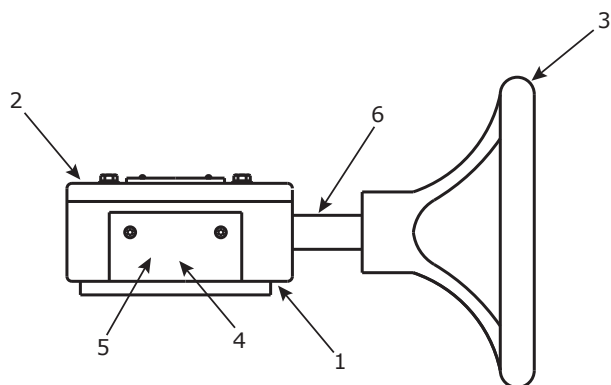


GENERAL

MATERIAL BODY:	CAST IRON
SURFACE:	BLUE RAL 5015
MATERIAL COVER:	CAST IRON
MATERIAL HAND WHEEL:	CAST IRON
MATERIAL WORM:	CARBON STEEL
MATERIAL WORM GEAR:	DUCTILE IRON
MATERIAL SHAFT:	CARBON STEEL
TURN:	90°

OPTION

MATERIAL SHAFT:	AISI 316
-----------------	----------

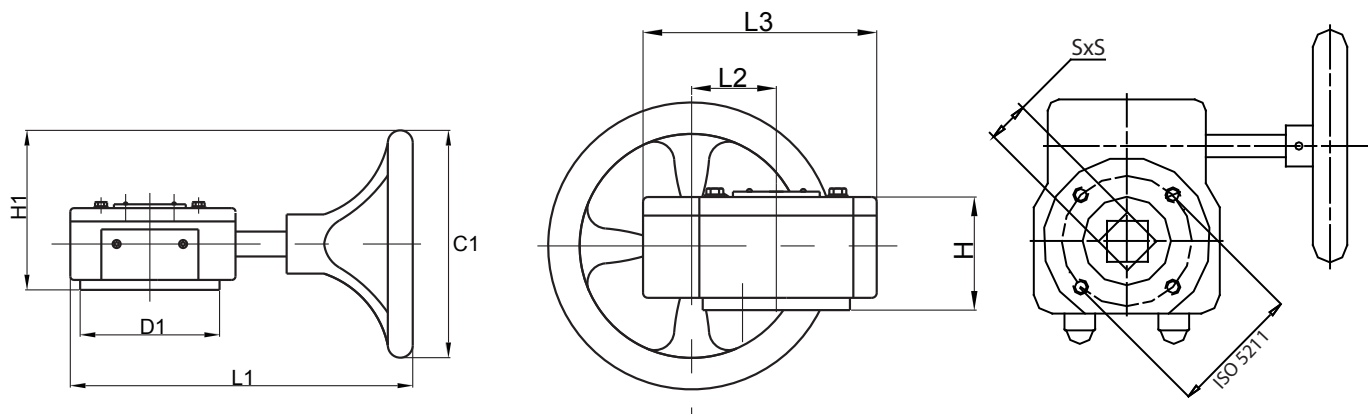


POS	DESCRIPTION	MATERIAL
1	BODY	CAST IRON
2	COVER	CAST IRON
3	HANDWHEEL	CAST IRON
4	WORM	CARBON STEEL
5	WORM GEAR	DUCTILE IRON
6	SHAFT	CARBON STEEL

DESCRIPTION

- **High quality industrial gear box** in cast iron.
- **Quarter turn** and easy adjustment.
- **Simple worm gear structure** for improved durability and minimum service.
- **Standard ISO 5211** mounting.
- **Corrosion resistant surface** due to surface paint.
- **Lifetime greased.**

DIMENSIONS



MODEL	BUTTERFLY VALVE TYPE E6730	S x S	ISO 5211	C1	D1	H	H1	L1	L2	L3	RATIO	OUTPUT TORQUE [NM]	WEIGHT [KG]
				[MM]									
3D-15	DN50-DN100	11 x 11	F07	147	108	65	113	212	45	129	24:1	200	4.3
	DN125-DN150	14 x 14	F07										
3D-50	DN200	17 x 17	F07	288	146	70	182	305	62	171	30:1	500	8.0
	DN250	22 x 22	F10										
3D-120	DN300	22 x 22	F10	288	165	77	182	300	85	198	50:1	1200	10.5
	DN350	27 x 27	F12										
XJ80	DN400	27 x 27	F12	400	234	103	247	423	120	280	80:1	2500	20.5
	DN450	36 x 36	F14										
XJ300	DN500	46 x 46	F14	475	276	143	270	490	122	316	293.5:1	4000	41.5
	DN600	46 x 46	F16										