

BRACKET FOR MECHANICAL OR INDUCTIVE SWITCH



Type 5720 for mounting on 223X/224X butterfly valve



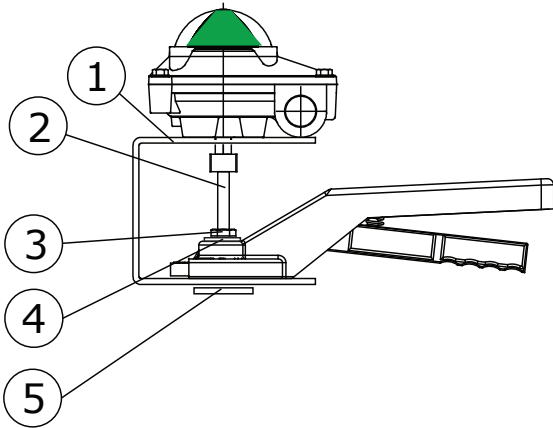
GENERAL

Bottom flange ISO: F05 DN40-80
F07 DN100-150
VDI adaptor: M6 or M8
Material: Stainless steel AISI 304

OPTION

Material: Stainless steel AISI 316

MATERIALS

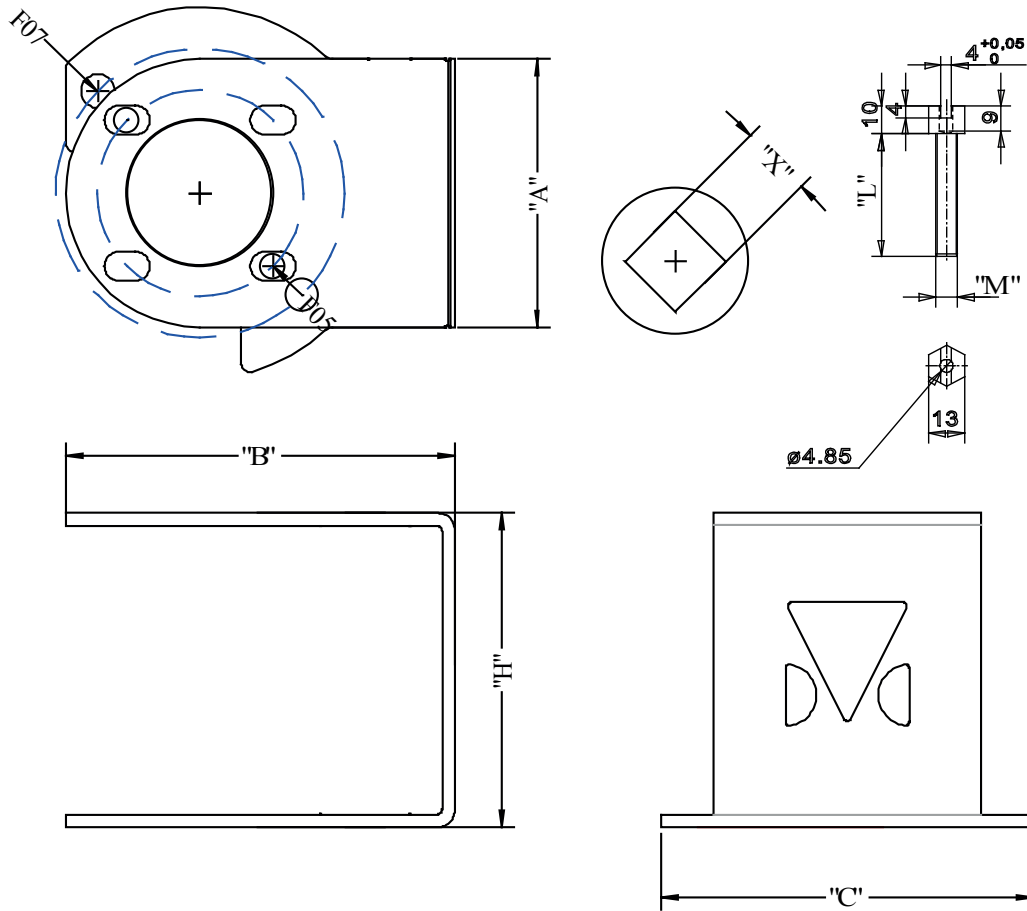


NO.	DESCRIPTION	MATERIALS
1	BRACKET	STAINLESS STEEL AISI 304
2	VDI ADAPTOR	STAINLESS STEEL AISI 304
3	LOCKING NUT	STAINLESS STEEL AISI 304
4	WASHER	STAINLESS STEEL AISI 304
5	SPACER	STAINLESS STEEL AISI 304

DESCRIPTION

- **Quality Bracket** - for mechanical switchbox or inductive sensor. Suitable for DVC Type 5310 and 5313 switchbox, and DVC Type 5300 sensor.
- **Robust construction** - 3 mm AISI 304.
- **Easy mounting** - only requires M6/M8 thread in butterfly valve stem.
- **Corrosion resistance** - made from corrosion resistant stainless steel.

DIMENSIONS



Dimension 223X/224X		Mounting kit inductive	Mounting kit mechanic	Bracket		ISO Connections						VDI Adaptor	
Bore	Item no.	Item no.	H [mm]	B [mm]	øF [mm]/F	øX [mm]	øD2 [mm]	A [mm]	B [mm]	C [mm]	M1	L [mm]	
DN40	1 1/2"	5720220080	5720130080	76	93	50/F05	11	50	65	14	90	M6	50
DN50	2"	5720220080	5720130080	76	93	50/F05	11	50	65	14	90	M6	50
DN65	2 1/2"	5720220080	5720130080	76	93	50/F05	11	50	65	14	90	M6	50
DN80	3"	5720220080	5720130080	76	93	50/F05	11	50	65	14	90	M6	50
DN100	4"	5720220150	5720130150	76	93	50/F07	14	50	65	14	90	M8	50
DN125	5"	5720220150	5720130150	76	93	70/F07	14	50	65	14	90	M8	50
DN150	6"	5720220150	5720130150	76	93	70/F07	17	50	65	14	90	M8	50

Adjustment of the adaptor length "L" may be required.

Dansk Ventil Center A/S

Ferrarivej 14
 DK - 7100 Vejle
 Tel.: +45 75 72 33 00
 Fax: +45 75 72 75 15
 E-mail: mail@dvcas.dk
 Web: www.dvcas.dk