

# BALL VALVE WITH STAINLESS STEEL-/STEEL HANDLE

## TYPE 1050

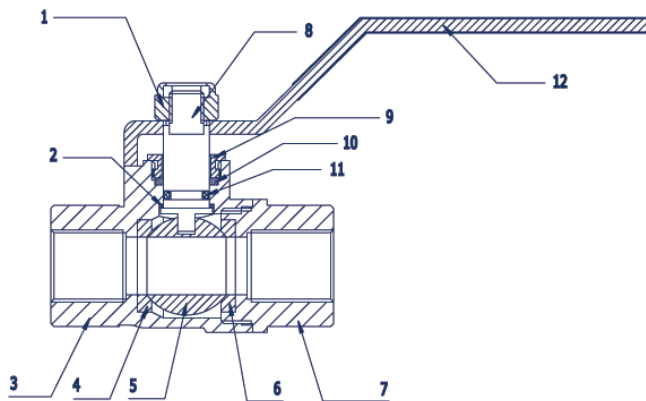


### GENERAL

DIMENSION/PRESSURE:	1/4" TO 2" = 40 BAR 2 1/2" TO 4" = 25 BAR
MATERIAL:	BRASS MS58
THREAD:	BSPP
HANDLE:	1/4" - 4" STAINLESS STEEL WITH LOCKING NUT 1/4" - 4" STEEL WITH LOCKING NUT 1/4" - 1" T-HANDLE
CONNECTION:	1/4" - 4" FEMALE/FEMALE 3/4" - 1 1/2" FEMALE/MALE
WORKING TEMPERATURE:	-10° C TO 80° C

### OPTION

THREAD:	NPT
---------	-----

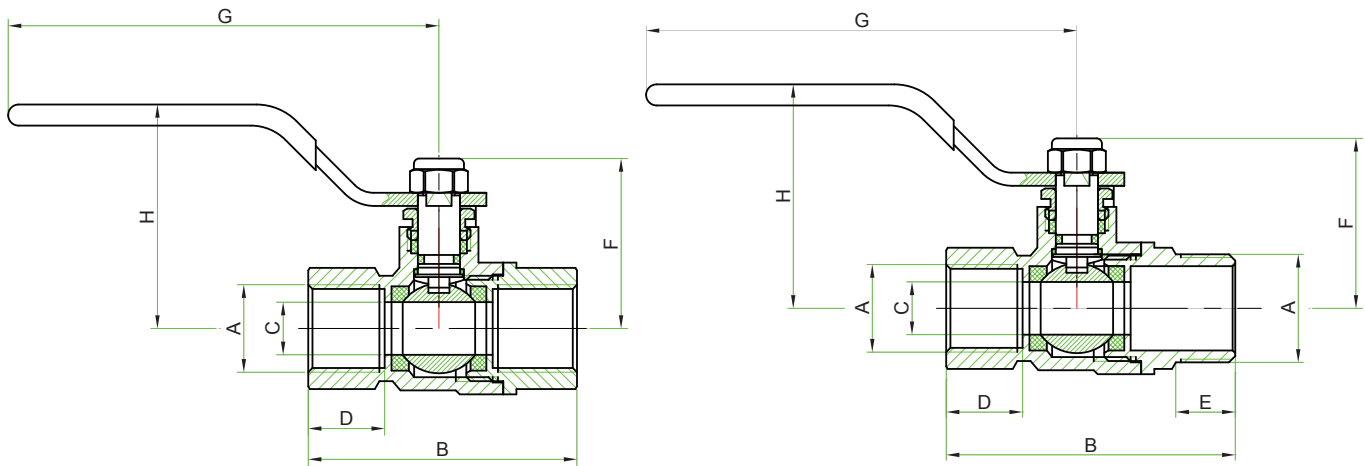


POS	DESCRIPTION	MATERIAL
1	LOCKING NUT	STAINLESS STEEL (AISI 304)
2	LOWER SEALING	PTFE
3	BODY	BRASS (MS58)
4	SEAT	PTFE
5	BALL	BRASS (MS58)
6	SEAT	PTFE
7	BODY	BRASS (MS58)
8	STEM	BRASS (MS58)
9	CAP NUT	BRASS (MS58)
10	UPPER SEALING	PTFE
11	O-RING	FPM
12	HANDLE	STAINLESS STEEL (AISI 304)

### DESCRIPTION

- **Handle in stainless steel/nickel-plated steel** with plastic grip.
- **Nickel-plated brass ball valve** with a very fine surface structure.
- **Strong body construction.**
- **Full bore** in sizes 1/4" to 2-1/2". Reduced bore from 3" to 4".
- **Complete identification** molded into the ball valve.
- **The stem is blow-out proof**, which also gives the benefit of increasing the stem sealing when pressure rises.
- **Locking nut on the handle.**
- **Pressure stage** PN40 to 2". PN25 2-1/2" to 4"

## DIMENSIONS



DIM		VALVE WITH HANDLE													
[MM]	A [INCH]	B [MM]		C [MM]		D [MM]		E [MM]	F [MM]		G [MM]		H [MM]		
		FEM./FEM.	FEM./MAL.	FEM./FEM.	FEM./MAL.	FEM./FEM.	FEM./MAL.	FEM./MAL.	FEM./FEM.	FEM./MAL.	FEM./FEM.	FEM./MAL.	FEM./FEM.	FEM./MAL.	
DN08	1/4"	47.1	-	10.0	-	12.2	-	-	32.5	-	80	-	41.3	-	
DN10	3/8"	50.7	-	10.0	-	14.8	-	-	32.5	-	80	-	42.0	-	
DN15	1/2"	55.2	-	15.0	-	14.6	-	-	37.4	-	102.0	-	52.0	-	
DN20	3/4"	60.9	69.0	19.0	19.0	14.2	16.4	14.2	44.1	45.0	103.4	100.0	57.2	54.0	
DN25	1"	72.5	78.3	24.3	24.3	19.2	18.2	15.2	50.5	52.5	103.0	101.0	57.5	60.5	
DN32	1 1/4"	79.5	89.0	30.5	30.5	17.2	17.9	18.1	61.4	58.0	134.9	128.1	72.0	74.0	
DN40	1 1/2"	96.8	100.0	39.6	39.6	21.5	20.9	17.5	67.2	65.5	140.4	143.6	83.1	77.2	
DN50	2"	108.9	-	47.0	-	23.6	-	-	75.5	-	141.8	-	92.8	-	
DN65	2 1/2"	132.3	-	62.4	-	24.8	-	-	96.5	-	237.5	-	123.7	-	
DN80	3"	147.0	-	73.2	-	24.5	-	-	108.0	-	238.5	-	134.0	-	
DN100	4"	164.0	-	85.0	-	22.7	-	-	113.3	-	228.2	-	139.3	-	

## VALVE DATA

DIM. [INCH]	KV-VALUE 90° [M²/H]	WEIGHT [KG]	QTY. PER BOX	
			SMALL BOX	BIG BOX
1,4"	6	0.13	10	100
3/8"	7	0.14	10	100
1/2"	10	0.20	10	100
3/4"	27	0.30	10	60
1"	48	0.48	8	48
1 1/4"	70	0.72	4	32
1 1/2"	102	0.98	4	24
2"	204	1.52	2	8
2 1/2"	272	2.80	2	8
3"	493	4.20	2	6
4"	877	6.20	2	4

## PRESSURE/TEMPERATURE

