

3-WAY BALL VALVE THREADED ENDS

TYPE 1620: T-BORE
TYPE 1720: L-BORE

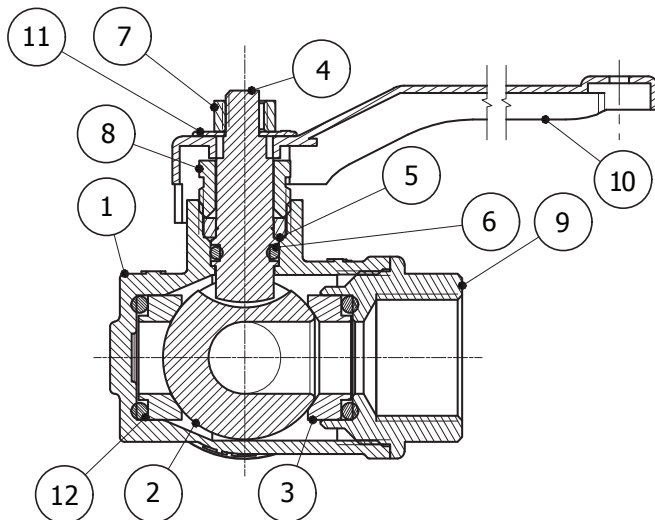


GENERAL

OPERATION: HANDLE
 DIMENSIONS: 1/4" - 2 1/2" REDUCED BORE
 PRESSURE: 40 BAR
 TEMPERATURE: -20°C TO 170°C
 MATERIAL: NICKEL-PLATED BRASS EN 12420
 THREAD: UNI ISO 228

OPTION

FLANGE: ISO 5211
 HANDLE: AVAILABLE WITH T-HANDLE.
 SUPPLIED WITH PLASTIC COATED ALUMINUM AND STAINLESS STEEL.



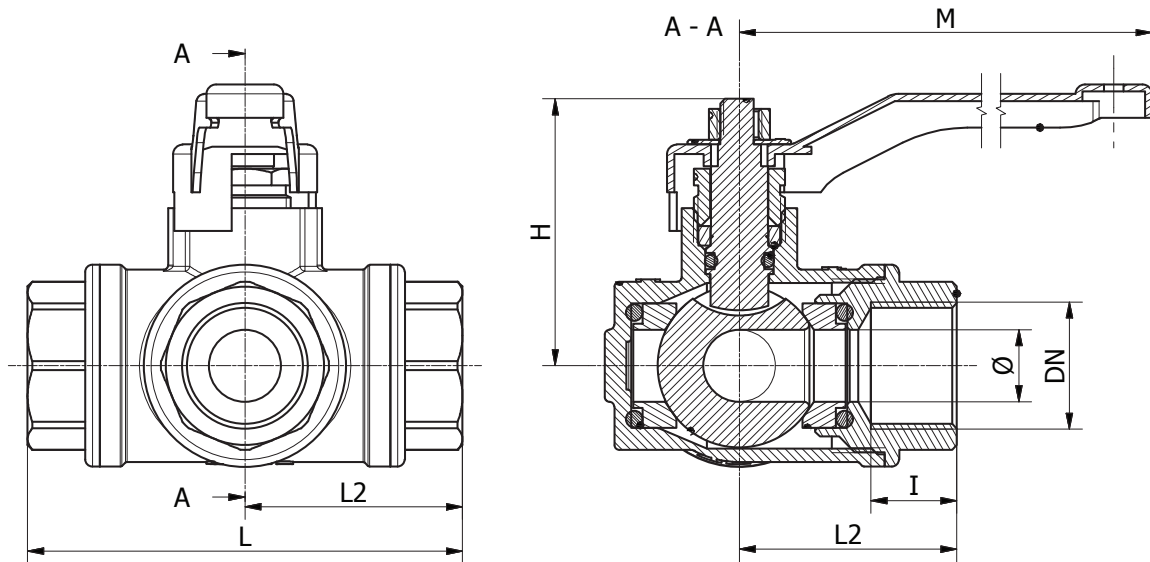
POS	DESCRIPTION	MATERIAL
1	BODY	NICKEL PLATED BRASS EN 12420
2	BALL	CHROME PLATED BRASS EN 12164
3	SEAT	PTFE
4	PUSHROD	CHROME-PLATED BRASS EN 12164
5	GASKET	PTFE
6	O-RING	FPM
7	NUT	UNI 7356-CB4FF
8	NUT	CHROME-PLATED BRASS EN 12164
9	SLEVE	NICKEL PLATED BRASS EN 12420
10	LEVER	EN1011-DD13
11	INDICATOR PLATE	EN 7639 SGALSI 1
12	O-RING	FPM

DESCRIPTION

- **Application:** Water, oil, gasoline, gases, air and non-aggressive fluids.
- **4 pcs. seat rings** supports the ball on all sides, preventing bypass. Seat rings are also supported by O-ring, reducing the torque.
- **Double o-ring** seal at the spindle/gland.
- **A variety of flowplans** is possible, as the value is available in L- or T-Bore Type.

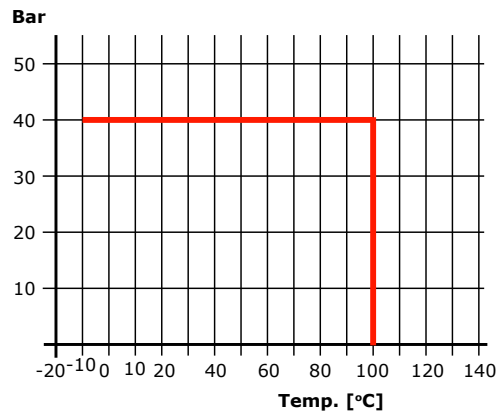
DS-1620/1720-UK-01-2016-REV. A
 We reserve the right for changes.

DIMENSIONS



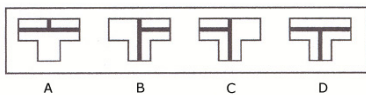
DIM.	VALVE WITH HANDLE					
FULL BORE	Ø [mm]	L2 [mm]	L [mm]	I [mm]	H [mm]	M [mm]
1/4"	10	38,0	76	18,0	52,0	115
3/8"	10	38,0	76	18,0	52,0	115
1/2"	10	41,0	82	17,0	52,0	115
3/4"	15	45,0	90	18,5	55,5	115
1"	20	53,0	106	20,0	64,0	150
1 1/4"	25	60,0	120	23,5	76,5	150
1 1/2"	32	71,0	142	28,5	93,5	240
2"	40	82,5	165	32,0	103,5	240
2 1/2"	50	97,0	194	35,0	124,0	240

PRESSURE/TEMPERATURE



FLOWPLAN

Type 1620



Type 1720

