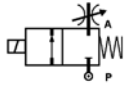


2/2 WAY DIRECT ACTING SOLENOID VALVE, G 1/4"



normally closed

WITH FLOW REGULATION - STEAM VERSION -

TYPE: D267

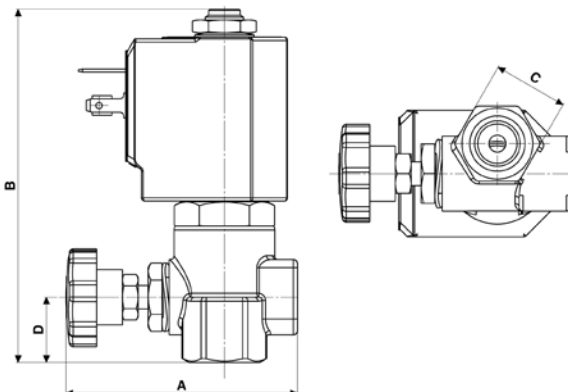
TECHNICAL SPECIFICATIONS

Media: water, steam
Media temperature: -10°C ÷ +180°C
Ambient temperature: -10°C ÷ +70°C
Body material: brass (CW617N EN 12165)
Orifice material: stainless steel (1.4305 EN 10088/AISI 303)
Operator material: stainless steel
Seal material: Sigodur (filled PTFE)
Coil power: AC 18VA (holding)
AC 36VA (inrush)
DC 14w
Protection class: IP 65 (with connector)



SELECTION TABLE

VALVE	G connection	nominal diameter	flow rate Kvs	min	OPD		COILS	
					max AC	max DC	class "H" only	
code	[ISO 228 G]	[mm]	[l/min]	[barg]	[barg]	[barg]	code	[Volts/Hz]
D267DLE	1/4"	2.0	2.2	0	9	9	7251	24v DC
D267DLG	1/4"	2.5	3.4	0	9	9	7201	24v 50/60Hz
D267DLH	1/4"	3.0	4.5	0	9	8	7401	110v 50Hz - 120v 60Hz
D267DLL	1/4"	4.0	6.0	0	8	5	7601	200v 50Hz - 220v 60Hz
							7701	230v 50Hz - 240v 60Hz



DIMENSIONS & WEIGHTS

VALVE	A	B	C	D	weight
code	[mm]	[mm]	[mm]	[mm]	[kg]
D267	55 ÷ 60	89.5	Hex 19	16.5	0.26