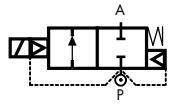


2/2 WAY PILOT OPERATED PISTON VALVE, G 1/4" ÷ G 1/2"



normally closed

STEAM VERSION

TYPE: D634/635/636

TECHNICAL SPECIFICATIONS

Media:	water, steam
Media temperature:	+80°C ÷ +180°C
Ambient temperature:	-10°C ÷ +70°C
Body material:	brass (CW617N EN 12165)
Orifice material:	stainless steel (1.4305 EN 10088/AISI 303)
Operator material:	stainless steel
Seal material:	PTFE
Coil power:	AC 18VA (holding) AC 36VA (inrush) DC 22w
Protection class:	IP 65 (with connector)

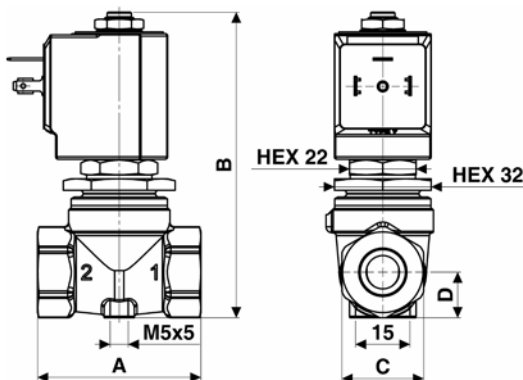
NOTES

For a correct functioning, the minimum working temperature of the solenoid valve cannot be below 80°C.



SELECTION TABLE

VALVE	G connection	nominal diameter	flow rate Kvs	min	OPD		COILS	
					max Ac	max Dc	class "H" only	
code	[ISO 228 G]	[mm]	[l/min]	[barg]	[barg]	[barg]	code	[Volts/Hz]
D634DTT	1/4"	10	21	0.3	9	9	72Z1	24v DC
D635DTT	3/8"	10	24	0.3	9	9	7201	24v 50/60Hz
D636DTT	1/2"	10	25	0.3	9	9	7401	110v 50Hz - 120v 60Hz
							7601	200v 50Hz - 220v 60Hz
							7701	230v 50Hz - 240v 60Hz



Flow direction overseat 1 → 2

DIMENSIONS & WEIGHTS

G connection	A	B	C	D	weight
[ISO 228 G]	[mm]	[mm]	[mm]	[mm]	[kg]
1/4"	54	100	HEX 27	15	0.5
3/8"	54	100	HEX 27	15	0.45
1/2"	54	100	HEX 27	15	0.45