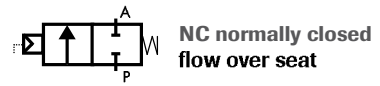


2/2 WAY PISTON ACTUATED VALVE – SANITARY CLAMP – AISI 316L



TECHNICAL SPECIFICATIONS

- Media: water, oil, air, aggressive media and steam
- Media temperature: $-10^{\circ}\text{C} \div +180^{\circ}\text{C}$
- Ambient temperature: $-10^{\circ}\text{C} \div +60^{\circ}\text{C}$
- Pilot media: air, inert gases
- Body material: cast AISI 316L (CF3M), see page 37
- Clamp material: AISI 316L
- Bonnet material: cast AISI 316L (CF3M), see page 37
- Actuator body material: Polyamide PA6 (reinforced fiberglass 30%)
- Seal material: PTFE type TFM 1600
- Position indicator as standard
- Gasket and clamp not included
- Connection to ISO 2852 or ASME BPE

TYPE: COMPACT AND REGULAR (BD-NO-NC)



BENEFITS

- Waterhammer-free design for BPC - BPP (2→1)
- Actuator housing rotation 360°
- Design suitable for vacuum applications up to 10^{-2} mbar

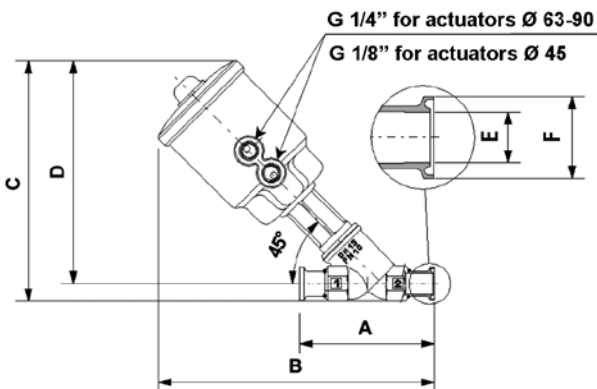
OPTIONS

- Manual override (e.g. Code BPC205STWM0) see page 28
- Stroke regulator (e.g. Code PC210STJR0) see page 28
- Travel switch (e.g. Code RPC208LTZi0) see page 28

SELECTION TABLE

DN	ISO 2852								
	ACTUATOR Ø 45			ACTUATOR Ø 63			ACTUATOR Ø 90		
	BD	NC	NC	BD	NC	NO	BD	NC	NO
[mm]	Code	Code	Code	Code	Code	Code	Code	Code	Code
15	BPC205CTW00	PC205CTW00	RPC205CTW00	BPC205STW00	PC205STW00	RPC205STW00	–	–	–
20	BPC206CTX00	PC206CTX00	RPC206CTX00	BPC206STX00	PC206STX00	RPC206STX00	–	–	–
25	–	–	–	BPC207STY00	PC207STY00	RPC207STY00	BPC207LTY00	PC207LTY00	RPC207LTY00
32	–	–	–	BPC208STZ00	PC208STZ00	RPC208STZ00	BPC208LTZ00	PC208LTZ00	RPC208LTZ00
40	–	–	–	BPC209STK00	PC209STK00	RPC209STK00	BPC209LTK00	PC209LTK00	RPC209LTK00
50	–	–	–	BPC210STJ00	PC210STJ00	RPC210STJ00	BPC210LTJ00	PC210LTJ00	RPC210LTJ00

DN	ASME BPE								
	ACTUATOR Ø 45			ACTUATOR Ø 63			ACTUATOR Ø 90		
	BD	NC	NC	BD	NC	NO	BD	NC	NO
[mm]	Code	Code	Code	Code	Code	Code	Code	Code	Code
15	BPP205CTW00	PP205CTW00	RPP205CTW00	BPP205STW00	PP205STW00	RPP205STW00	–	–	–
20	BPP206CTX00	PP206CTX00	RPP206CTX00	BPP206STX00	PP206STX00	RPP206STX00	–	–	–
25	–	–	–	BPP207STY00	PP207STY00	RPP207STY00	BPP207LTY00	PP207LTY00	RPP207LTY00
40	–	–	–	BPP209STK00	PP209STK00	RPP209STK00	BPP209LTK00	PP209LTK00	RPP209LTK00
50	–	–	–	BPP210STJ00	PP210STJ00	RPP210STJ00	BPP210LTJ00	PP210LTJ00	RPP210LTJ00



DIMENSIONS & WEIGHTS

DN	Actuator Ø	A ISO	A ASME	B ISO	B ASME	C ISO	C ASME	D	E ISO	E ASME	F ISO	F ASME	Weight [kg]	Weight [kg]
15	45	102	102	162	162	140	136	123	17.2	9.4	34	25	0.83	0.83
20	45	114	114	167	167	142	138	125	21.3	15.75	34	25	1.1	1.1
15	63	102	102	210	210	187	183	170	17.2	9.4	34	25	1.3	1.3
20	63	114	114	217	217	193	189	176	21.3	15.75	34	25	1.5	1.5
25	63	140	140	231	231	211	211	185	25	22.1	50.5	50.5	1.8	1.8
32	63	159	–	240	–	218	–	192	33.7	–	50.5	–	2.4	–
40	63	159	159	249	249	229	223	197	40	34.8	64	50.5	2.8	2.8
50	63	190	190	267	267	240	240	206	51	47.5	64	64	3.6	3.6
25	90	140	140	243	243	222	222	196	25	22.1	50.5	50.5	2.4	2.4
32	90	159	–	251	–	230	–	204	33.7	–	50.5	–	2.8	–
40	90	159	159	260	260	241	235	209	40	34.8	64	50.5	3.2	3.2
50	90	190	190	279	279	251	251	217	51	47.5	64	64	4.0	4.0

PERFORMANCE TABLE: ASME BPE

BD

VALVE	Actuator Ø	DN	Flow rate Kvs	Working pressure		Flow direction	Pilot pressure ①	
				min	max		min	max
Code	[mm]	[mm]	[l/min]	[barg]	[barg]	-	[barg]	[barg]
BPP205CTW00	45	15	50	0	10 / 10	1→2 / 2→1	6.2 / 5	10
BPP206CTX00	45	20	120	0	10 / 7	1→2 / 2→1	8.7 / 5	10
BPP205STW00	63	15	50	0	10 / 10	1→2 / 2→1	5.5 / 3.8	10
BPP206STX00	63	20	135	0	10 / 10	1→2 / 2→1	6 / 3.8	10
BPP207STY00	63	25	250	0	10 / 10	1→2 / 2→1	6.5 / 3.8	10
BPP209STK00	63	40	640	0	10 / 4	1→2 / 2→1	9 / 3.8	10
BPP210STJ00	63	50	730	0	8 / 2.5	1→2 / 2→1	9 / 3.8	10
BPP207LTY00	90	25	250	0	10 / 10	1→2 / 2→1	4 / 3.3	8
BPP209LTK00	90	40	640	0	10 / 8	1→2 / 2→1	6 / 3.3	8
BPP210LTJ00	90	50	730	0	10 / 6	1→2 / 2→1	8 / 3.3	8

NC

VALVE	Actuator Ø	DN	Flow rate Kvs	Working pressure		Flow direction	Pilot pressure ①	
				min	max		min	max
Code	[mm]	[mm]	[l/min]	[barg]	[barg]	[1→2]	[barg]	[barg]
PP205CTW00	45	15	50	0	10	over seat	3.8	10
PP206CTX00	45	20	120	0	10	over seat	5.8	10
PP205STW00	63	15	50	0	10	over seat	3.7	10
PP206STX00	63	20	135	0	10	over seat	4.4	10
PP207STY00	63	25	250	0	10	over seat	5.9	10
PP209STK00	63	40	640	0	10	over seat	9	10
PP210STJ00	63	50	730	0	10	over seat	8	10
PP207LTY00	90	25	250	0	10	over seat	2	8
PP209LTK00	90	40	640	0	10	over seat	4	8
PP210LTJ00	90	50	730	0	10	over seat	6.5	8

NO

VALVE	Actuator Ø	DN	Flow rate Kvs	Working pressure		Flow direction	Pilot pressure ①	
				min	max		min	max
Code	[mm]	[mm]	[l/min]	[barg]	[barg]	[2→1]	[barg]	[barg]
RPP205CTW00	45	15	50	0	10	under seat	6.2 / 5	10
RPP206CTX00	45	20	120	0	10	under seat	8.7 / 5	10
RPP205STW00	63	15	50	0	10	under seat	5.5 / 3.8	10
RPP206STX00	63	20	135	0	10	under seat	6 / 3.8	10
RPP207STY00	63	25	250	0	10	under seat	6.5 / 3.8	10
RPP209STK00	63	40	640	0	10	under seat	9 / 3.8	10
RPP210STJ00	63	50	730	0	10	under seat	9 / 3.8	10
RPP207LTY00	90	25	250	0	10	under seat	4 / 3.3	8
RPP209LTK00	90	40	640	0	10	under seat	6 / 3.3	8
RPP210LTJ00	90	50	730	0	10	under seat	8 / 3.3	8

① Minimum pilot pressure at the max working pressure; for lower working pressures please refer to the comparative charts.
For different part numbers, e. g. PP205STW00, please refer to the equivalent part number PQ205STW00.

PERFORMANCE TABLE: ISO 2852

BD

VALVE	Actuator Ø	DN	Flow rate Kvs	Working pressure		Flow direction	Pilot pressure ①	
				min	max		min	max
Code	[mm]	[mm]	[l/min]	[barg]	[barg]	-	[barg]	[barg]
BPC205CTW00	45	15	65	0	10 / 10	1→2 / 2→1	6.2 / 5	10
BPC206CTX00	45	20	120	0	10 / 7	1→2 / 2→1	8.7 / 5	10
BPC205STW00	63	15	85	0	10 / 10	1→2 / 2→1	5.5 / 3.8	10
BPC206STX00	63	20	160	0	10 / 10	1→2 / 2→1	6 / 3.8	10
BPC207STY00	63	25	260	0	10 / 10	1→2 / 2→1	6.5 / 3.8	10
BPC208STZ00	63	32	420	0	10 / 6	1→2 / 2→1	6.8 / 3.8	10
BPC209STK00	63	40	700	0	10 / 4	1→2 / 2→1	9 / 3.8	10
BPC210STJ00	63	50	810	0	8 / 2.5	1→2 / 2→1	9 / 3.8	10
BPC207LTY00	90	25	260	0	10 / 10	1→2 / 2→1	4 / 3.3	8
BPC208LTZ00	90	32	420	0	10 / 10	1→2 / 2→1	5 / 3.3	8
BPC209LTK00	90	40	700	0	10 / 8	1→2 / 2→1	6 / 3.3	8
BPC210LTJ00	90	50	810	0	10 / 6	1→2 / 2→1	8 / 3.3	8

NC

VALVE	Actuator Ø	DN	Flow rate Kvs	Working pressure		Flow direction	Pilot pressure ①	
				min	max		min	max
Code	[mm]	[mm]	[l/min]	[barg]	[barg]	[1→2]	[barg]	[barg]
PC205CTW00	45	15	65	0	10	over seat	3.8	10
PC206CTX00	45	20	120	0	10	over seat	5.8	10
PC205STW00	63	15	85	0	10	over seat	3.7	10
PC206STX00	63	20	160	0	10	over seat	4.4	10
PC207STY00	63	25	260	0	10	over seat	5.9	10
PC208STZ00	63	32	420	0	10	over seat	9	10
PC209STK00	63	40	700	0	10	over seat	9	10
PC210STJ00	63	50	810	0	10	over seat	8	10
PC207LTY00	90	25	260	0	10	over seat	2	8
PC208LTZ00	90	32	420	0	10	over seat	3.5	8
PC209LTK00	90	40	700	0	10	over seat	4	8
PC210LTJ00	90	50	810	0	10	over seat	6.5	8

NO

VALVE	Actuator Ø	DN	Flow rate Kvs	Working pressure		Flow direction	Pilot pressure ①	
				min	max		min	max
Code	[mm]	[mm]	[l/min]	[barg]	[barg]	[2→1]	[barg]	[barg]
RPC205CTW00	45	15	65	0	10	under seat	4	10
RPC206CTX00	45	20	120	0	10	under seat	6.2	10
RPC205STW00	63	15	85	0	10	under seat	2.5	10
RPC206STX00	63	20	160	0	10	under seat	4.3	10
RPC207STY00	63	25	260	0	10	under seat	5.5	10
RPC208STZ00	63	32	420	0	10	under seat	6.5	10
RPC209STK00	63	40	700	0	10	under seat	9	10
RPC210STJ00	63	50	810	0	10	under seat	9.4	10
RPC207LTY00	90	25	260	0	10	under seat	3	8
RPC208LTZ00	90	32	420	0	10	under seat	4	8
RPC209LTK00	90	40	700	0	10	under seat	5	8
RPC210LTJ00	90	50	810	0	10	under seat	7	8

① Minimum pilot pressure at the max working pressure; for lower working pressures please refer to the comparative charts.
For different part numbers, e. g. PC205STW00, please refer to the equivalent part number PQ205STW00.