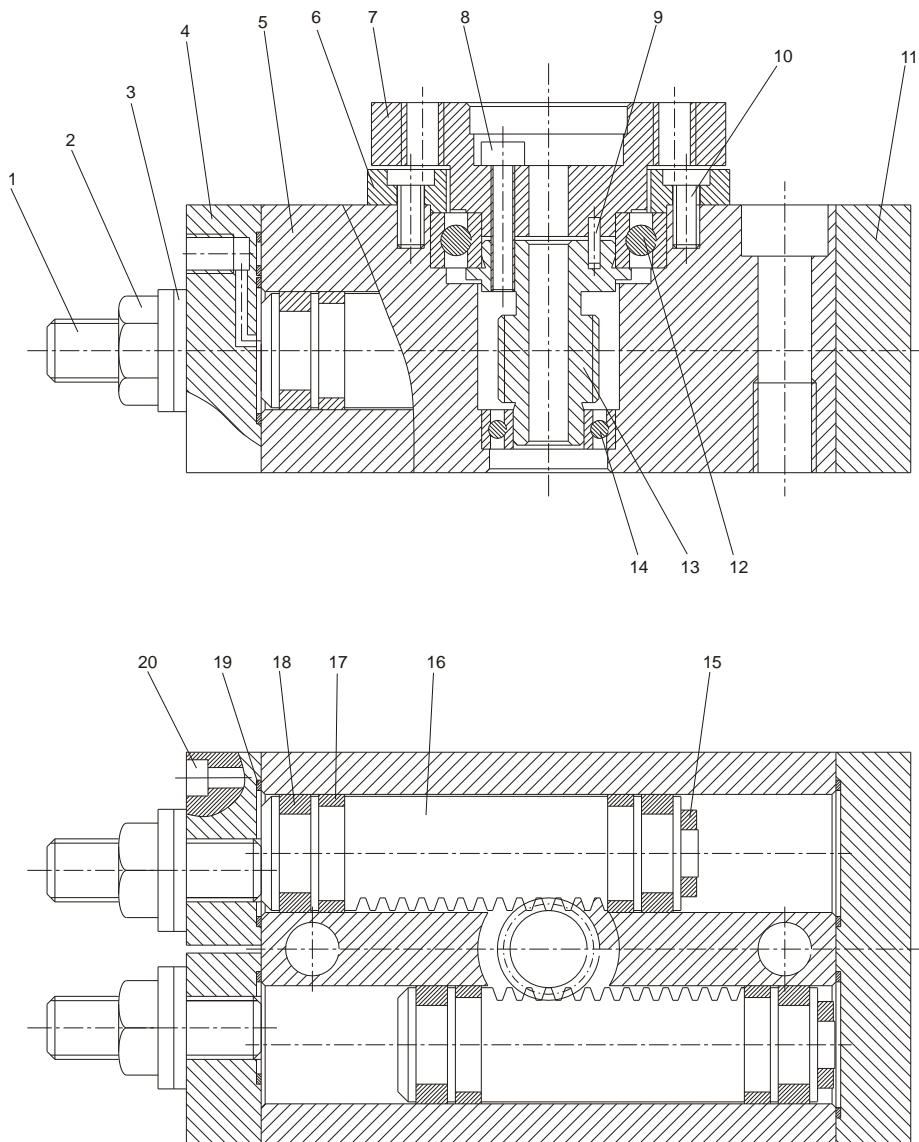


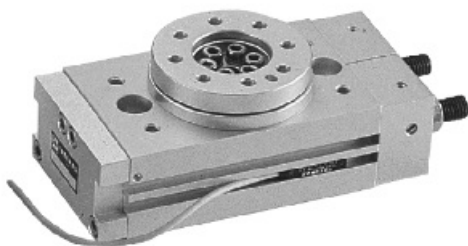


# ROTARY ACTUATORS

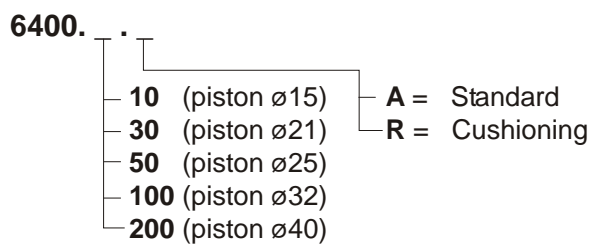
	Page
<b>Double rack Rotary actuators with turn table Series 6400</b>	
Component descriptions	4.1
Ordering codes, technical data	4.2
Overall dimensions	4.3
Operating conditions	4.4
<b>Single rack Rotary actuators Series 6410</b>	
Component descriptions	4.5
Ordering codes, technical data	4.6
Overall dimensions	4.7
Operating conditions	4.8
Magnetic sensors	4.9



Pos.	Item	Qty.	Pos.	Item	Qty.
1	Adjusting screw	2	11	End cover	1
2	Lock nut	2	12	Upper bearing	1
3	Washer	2	13	Pinion	1
4	Front head cover	2	14	Lower bearing	1
5	Body	1	15	Magnet	2
6	Closing flange	1	16	Rack	2
7	Turn table	1	17	Sliding shoe	4
8	Pinion-turn table fixing screw	6	18	Piston seal	4
9	Pin	1	19	Seal	4
10	Flange-Body fixing screw	6	20	Front head cover fixing screw	4



### Ordering code



**NOTE :** Magnetic sensors see page 4.9

### Construction characteristics

Body	aluminium alloy
Cover plate	steel
End plate	steel
Piston seal	NBR rubber
Pinion	steel
Rack	steel
Turn table	steel
Cushioning	elastic bumper (hydraulic damper available on request)

### Technical characteristics

Fluid	filtered and non lubricated air
Max. pressure	10 bar (for type 100 and 200, 6 bar)
Working temperature	-5°C ÷ +70°C
Rotation angle range	0 ÷ 190°
Max. rotation	190°
Rotation speed	0,2 ÷ 1 sec/90°

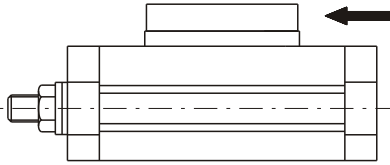




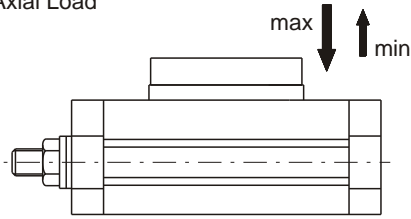
**Permissible Loads**

		Size				
		10	30	50	100	200
Radial Load (N)		80	200	320	400	550
Axial Load (N)	max	80	370	450	710	1000
	min	75	200	300	500	750
Torque Moment (Nm)		2,5	5,5	10	18	25

Radial Load



Axial Load



Torque Moment

