

* DIMENSIONAL TOLERANCE FOR DOWEL HOLES: ± 0.02
 DIMENSIONAL TOLERANCE FOR THREADED HOLES: ± 0.1
 REV. 00 - 17/06/2015

WEIGHT

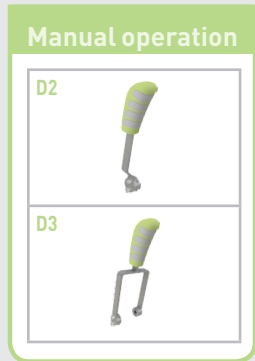
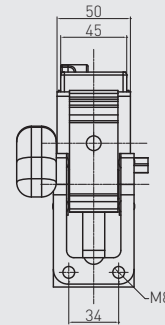
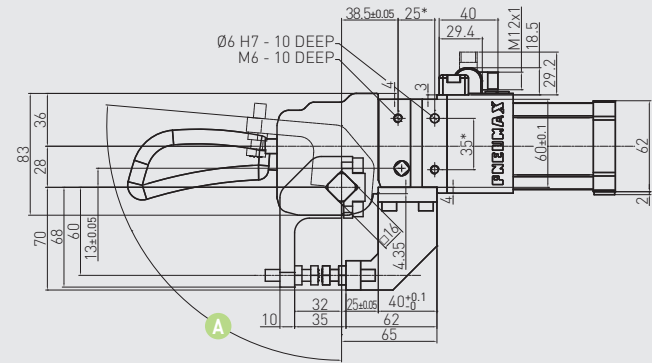
kg
2.2
 D1 handle
 included

JD_40E

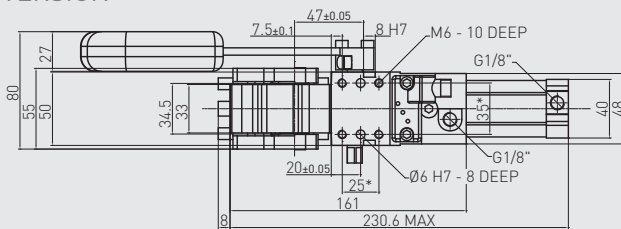
Gripper clamp

Size 40 mm

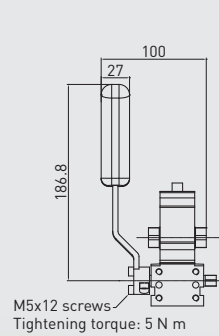
With manual operation



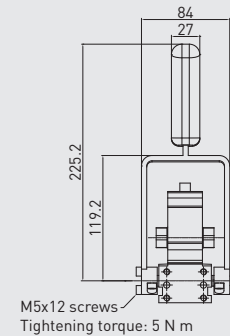
D1 VERSION



D2 VERSION



D3 VERSION



Handle swivel angle

Arm opening angle	Handle swivel angle A
0°	4.12°
15°	22.65°
30°	38.2°
45°	58.4°
60°	83.6°
75°	107.6°
90°	123.6°
105°	132.75°
120°	137.7°
135°	140°

Subject to change
 without notice

