

WEIGHT



* DIMENSIONAL TOLERANCE FOR DOWEL HOLES: ± 0.02
 DIMENSIONAL TOLERANCE FOR THREADED HOLES: ± 0.1

REV. 00 - 17/06/2015

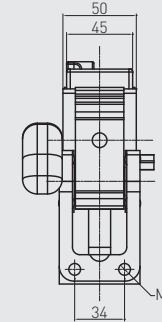
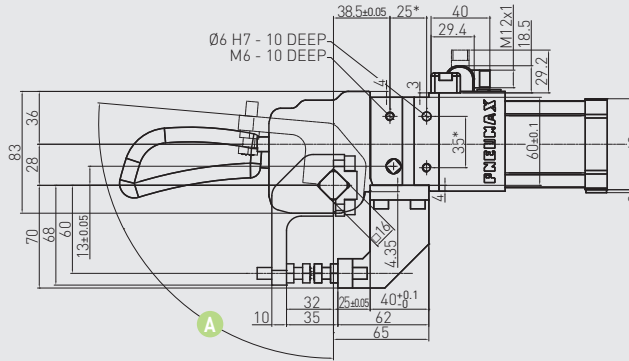
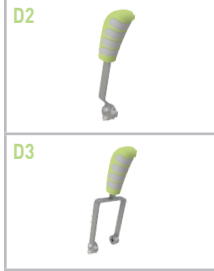
JKD_40E

Gripper clamp-workpiece thickness compensation

Size 40 mm

With manual operation

Manual operation

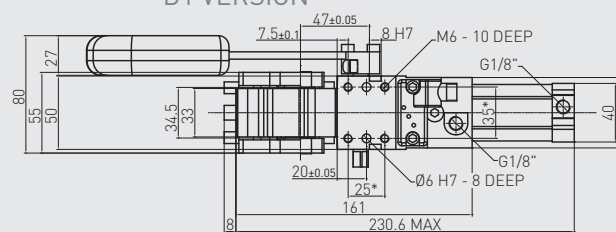


Handle swivel angle

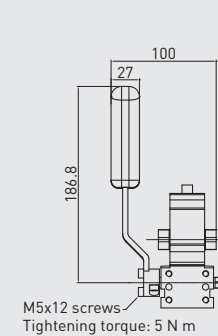
Arm opening angle	Handle swivel angle A
0°	4.12°
15°	22.65°
30°	38.2°
45°	58.4°
60°	83.6°
75°	107.6°
90°	123.6°
105°	132.75°
120°	137.7°
135°	140°

Subject to change without notice

D1 VERSION



D2 VERSION



D3 VERSION

