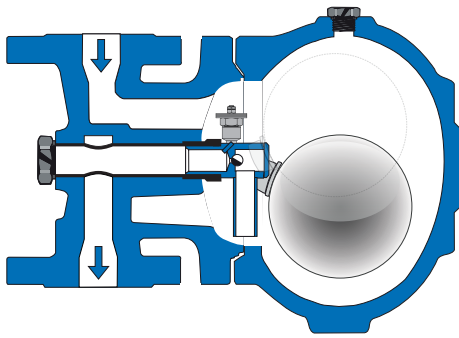




RIFOmat Float-Controlled Trap - Model Vario

1200-G

PN 40



Housing-Material: EN-JS 1049

Nominal diameter: DN15, DN20, DN25, DN40, DN50

Connections/Dimensions:

- Flanges DN 15 - 50, acc. DIN EN 1092-2 PN 40
- Flanges acc. ANSI B 16.5 Class 150 & 300 on request
- Other connections on request.

Nominal pressure stage: PN 40

Operation-Limits:

Max. working pressure bar g	40	37	33	27
Max working temperature °C	-10 / 20	100	200	300

Media: Steam, air, gases on request.

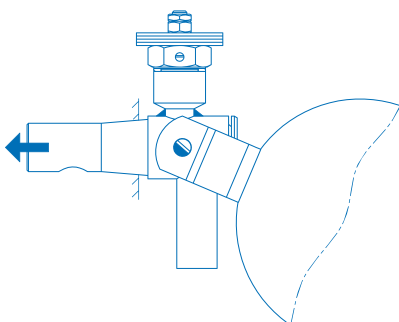
Function: Increasing level opens and decreasing level closes the outlet without delay, independent of pressure and temperature fluctuations. The rotary slide valve is both swivel joint and shut-off device.

Special characteristics: A float-controlled trap for all flow directions and face to face length to DIN 3548, short series. The RIFOmat-Vario will be assembled as specified by customer. A change of flow direction can be accomplished in site by merely rotating the housing flange and repositioning the float control unit.

Installation: Vertical or horizontal direction of flow (type WR, WI, SO, SU) as per illustrations

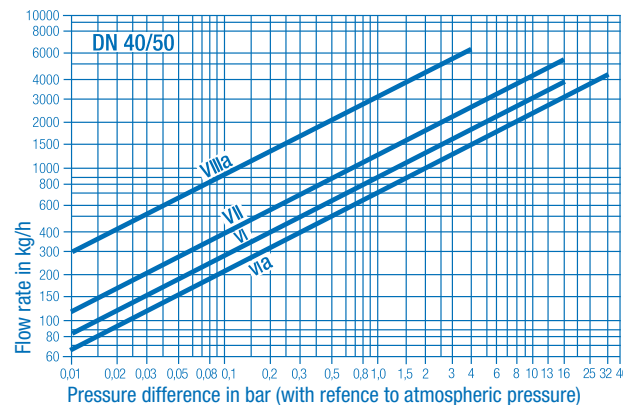
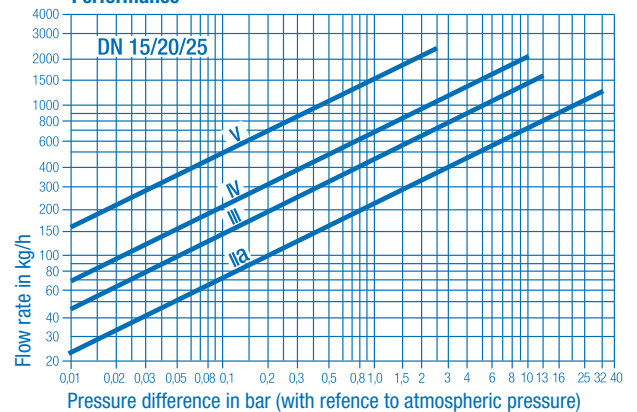
Additional equipment against extra price:

- RIFOka start up and permanent venting to interior, pressure diff. max. 22 bar
- RIFObi start up and permanent venting to interior, pressure diff. max. 32 bar
- Vent jet (interior)
- Sight glass RWG (up to 243°C)
- Drain plug
- Blow off valve for contaminants instead drain plug
- Check valve in outlet flange
- Top control valve instead control screw
- Float control with special cross-section V and VIII a
- Float control assembly for special applications (gases)



Automatic venting during start-up phase followed by continuous venting. Rising temperature closes, while decreasing temperature opens the passage.

Performance



For hot condensate the flow rate is lower because of medium temperature and density.

Function-limit:

Cross section	max. line pressure in bar g	
	Steam	Compressed air
II a	32	40
III	13	15
IV	11	14
V	2,5	3
VI	17	24
VI a	31	32
VII	16	23
VIII a	4	5

CE - Mark:

The pressure equipment described is a pressure-keeping component in accordance with the Pressure Vessel Directive 97/23/EC of DN15-25: acc. art.3, sub3, no CE-mark. DN40/50: Conformity through the ident. mark CE 0525.

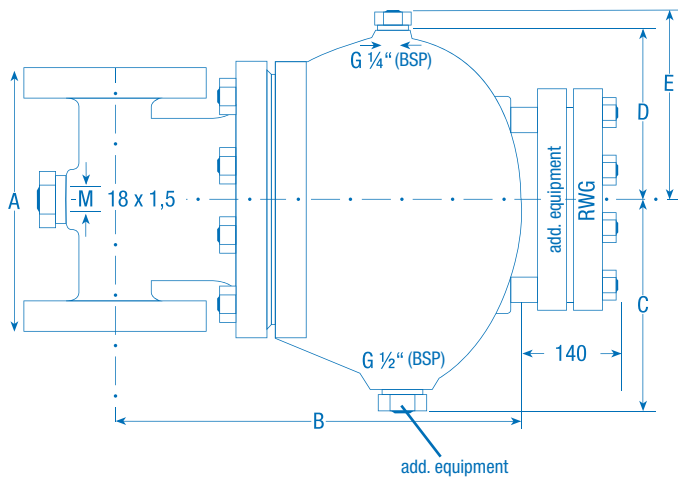
Please state the following when making inquiries / placing orders: Medium, density, initial pressure, counter pressure, temperature, quantity of condensation (kg/h).



Installation Dimensions

1200-G

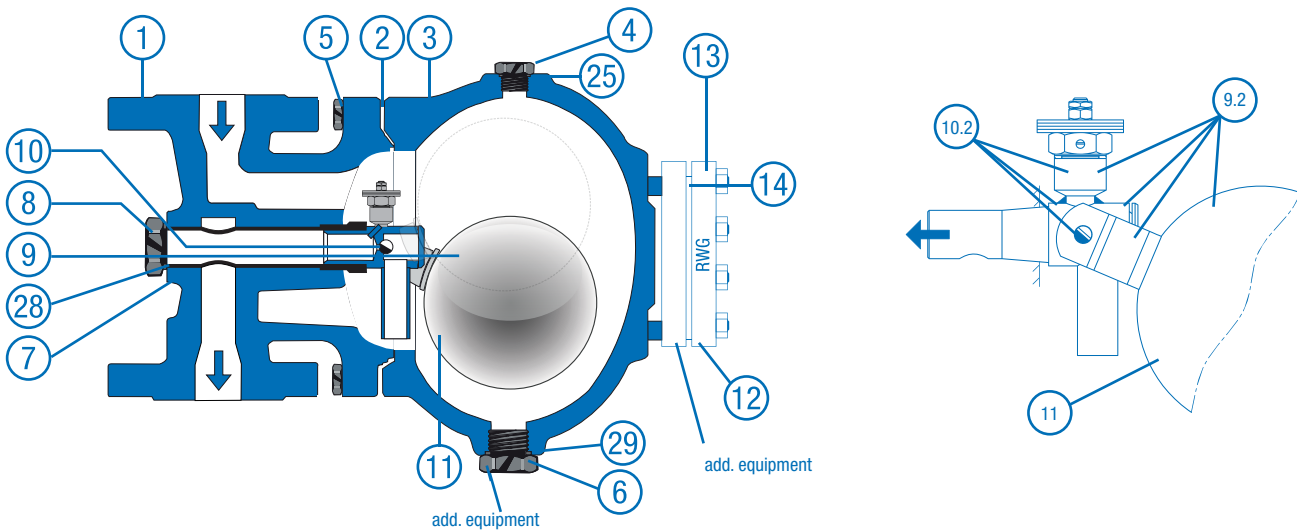
PN 40



Dimensions (in mm), Weight (in kg)

DN	15	20	25	40	50
A	150	150	160	230	230
B	240	240	240	310	310
C	115	115	115	150	150
D	95	95	95	135	135
E	105	105	105	145	145
Weight	13	13,5	14	34,5	35
Weight with RWG	14	14,5	15	36,5	37

Spare Parts



1 **Housing flange:** EN-JS 1049

2 **Seal:** Soft iron

3 **Main housing:** EN-JS 1049

4 **Control screw:** 1.4104

5 **Set of stud bolts and nuts:** DIN 939 / ISO 4032

6 **Drain plug:** DIN 910 - 5.8 - G 1/2" (BSP)

7 **Protective sleeve:** 1.4057

8 **Support bolt:** 1.4104

9.0 **Float control assembly:** SS 1.4057/1.4112/1.4301/1.4104 (1.4571)*

9.2 **Complete Float Control with built-on bi-metallic capsule venting device RIFObi:**
1.4057/1.4112/1.4301/1.4104/ SS-Hastelloy

10.0 **Support assembly with rotary valve and cotter pin**:**
1.4057/1.4112/1.4301/1.4104 (1.4571)*

10.2 **Complete Supporting Structure incl. rotary slide valve, cotter pin and built-on RIFObi-metallic capsule venting device**:**
1.4057/1.4112/1.4301/1.4104

11 **Float with lever:** 1.4301 (1.4571)*

12 **Maxoglas:** DIN 7081

13 **RWG frame:** P265GH

14 **2 gaskets for RWG:** Sigraflex

25 **Seal:** Soft iron

28 **Seal:** Soft iron

29 **Seal:** Soft iron

To ensure correct parts delivery, specify part number, works standard-sheet number, DN, and for control components the cross-section, which is to find at the support screw.

*Depending on operating conditions

**Due to sealing requirements marked items cannot be supplied as individual parts.