

Housing-Material:

- ASTM A743 Gr.CA40

Nominal diameters: DN15, DN20, DN25

Connections:

- Female thread G 1/2"-1" (BSP) acc. DIN ISO 228-1
- Female thread Rp 1/2"-1" (BSPT) acc. DIN 2999
- Female thread 1/2"-1" NPT as ANSI B 1.20.1
- Socket weld DN 15-25 acc. DIN EN 12760 as ANSI B 16.11
- Flanges DN 15-25, acc. DIN EN 1092-1, PN40 (optional)
- Flanges 1/2"-1", acc. ANSI B 16.5, Class 150 & 300 (optional)
- Other connections on request

Nominal pressure stage: PN 40

Operating limits:

	Thread	Socket weld
Max. operating pressure (bar g)	31,6	55
Max. operating temperature (°C)	427	450

Min. operating pressure: 0,25 bar g

Max. back pressure: not to exceed 80% of initial pressure

Media: Steam/-condensate

Function: Periodic removal of condensate and ventilation of steam systems by using the thermodynamic effect.

Special characteristics:

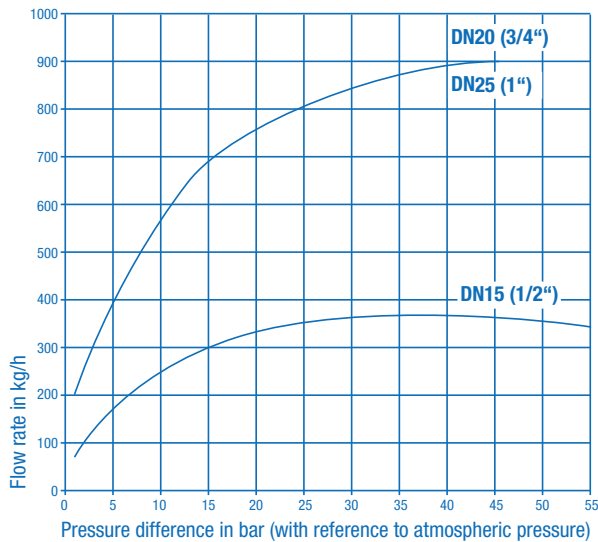
- compact design
- adapts itself automatically to the operating conditions
- drains the condensate with very low heat loss
- tough valve design
- resistant against water shocks
- seal-less design, metallic sealing

Installation: preferably horizontal, vertical possible

Optional:

- Blow-Down-Valve
- Weld-on flanges

Performance:

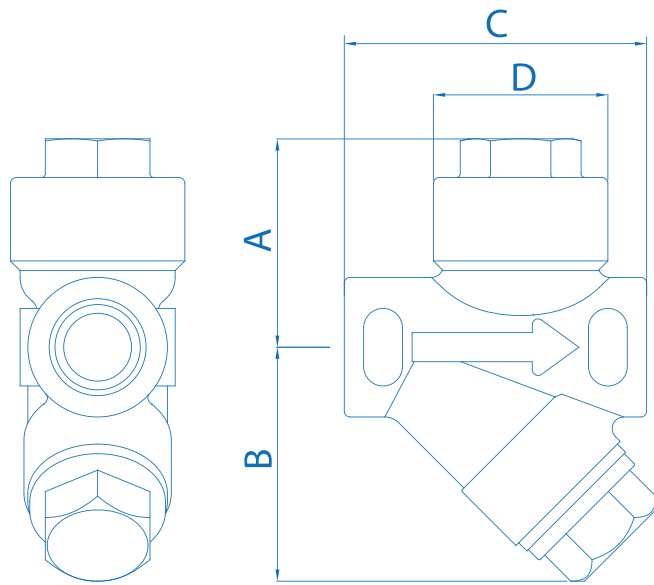


CE - Mark:

The pressure equipment is in accordance with the Pressure Vessel Directive 97/23/EC, Article 3, subsection 3 and bears no CE mark.

Please state the following when making inquiries/placing orders:

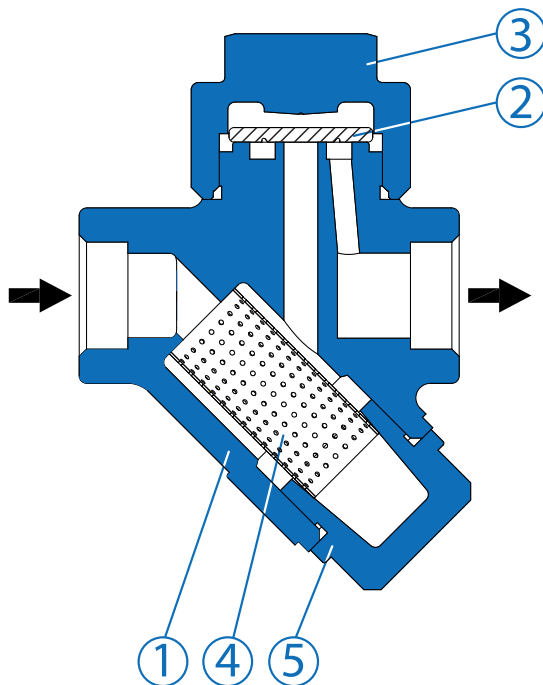
Medium, initial pressure, counter-pressure, temperature, quantity of condensation (kg/h).



Dimensions (in mm) Weight (in kg)

DN	A	B	C	D	Weight
15 (1/2")	52	54	78	45	1,2
20 (3/4")	52	54	78	45	1,2
25 (1")	61	73	95	45	1,5

Spare Part



1 **Housing:** ASTM A743 Gr.CA40

2 **Disc*:** ASTM A276 Tp. 420

3 **Cover:** ASTM A743 Gr.CA40

4 **Strainer:** ASTM A240 Tp. 304

5 **Screw plug:** ASTM A743 Gr.CA40

* Due to sealing requirements, marked items cannot be supplied as individual parts.

To ensure correct parts delivery, specify part number, works standard sheet number RD321 and DN.