

# ANGLE SEAT VALVE

## TYPE 3500

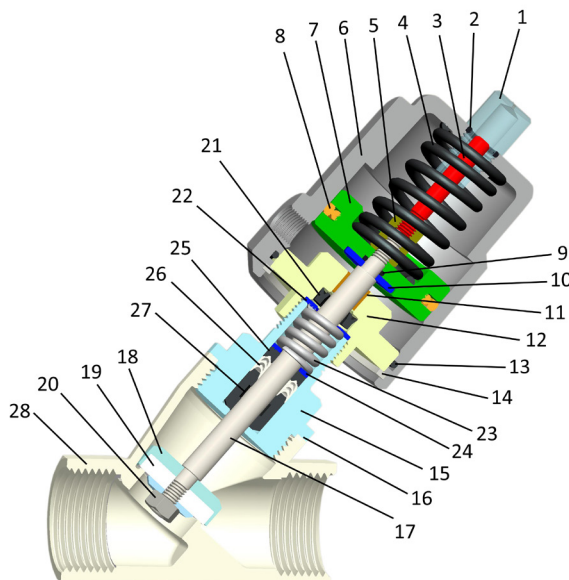


### GENERAL

DIMENSION:	THREAD ENDS 1/2" TO 2" WELD ENDS DN20, DN32 - DN50
PRESSURE:	PN16
BODY MATERIALE:	STAINLESS STEEL
SEAL MATERIALE:	PTFE
THREAD CONNECTION:	BSPP
WELD CONNECTION:	SMS3008
WORKING TEMPERATURE:	-20°C TO 130°C (PEAK 180°C)
AMBIENT TEMPERATURE:	-20°C TO 80°C
ACTUATOR:	SPRING RETURN (NC)

### OPTIONS

DIMENSION:	THREADED ENDS 3/8", 2 1/2" TO 4" WELDED ENDS DN25, DN32
WELD CONNECTION:	DIN 11850-2, DIN 11850-3 OR ISO 4200
SEAT MATERIALE:	EPDM (-10°C TO 80°C) PTFE WITH 25% CARBON (-10°C TO 220°C)
ACTUATOR:	SPRING RETURN (NO) DOUBLE ACTING (NO OR NC) SPRING RETURN, NC, ENTER BELOW SEAT

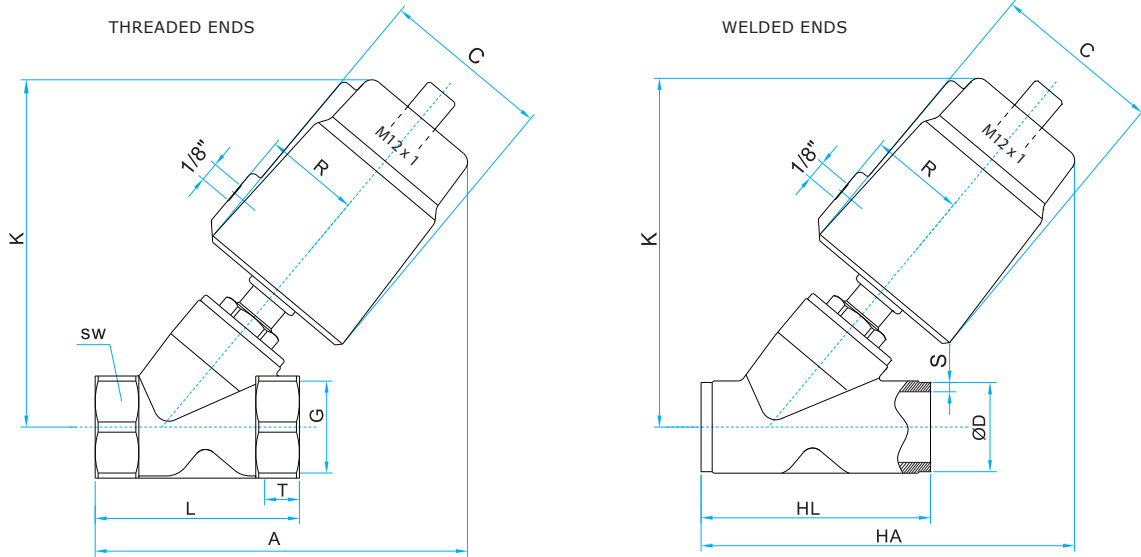


POS	DESCRIPTION	MATERIALS
1	TOP CAP	PC / STAINLESS STEEL
2	O-RING	NBR
3	INDICATOR ROD	NYLON
4	SPRING	65MN
5	NUT	ALUMINUM
6	CYLINDER	CF8
7	PISTON	ALUMINUM
8	PISTON SEAL	FPM
9	O-RING	NBR
10	WASHER	AISI 304
11	BEARING	COPPER
12	CYLINDER COVER	AISI 304
13	O-RING	NBR
14	SPRING LOCK RING	AISI 304
15	CONNECTOR	CF8M
16	BODY SEAL	PTFE
17	VALVE ROD	AISI 316
18	VALVE CORE	CF8M
19	SEAT	PTFE
20	HEX NUT	AISI 316
21	SEAL	FPM
22	WASHER	AISI 304
23	SPRING	AISI 304
24	WASHER	AISI 304
25	VALVE ROD SEAL I	PTFE + CARBON
26	VALVE ROD SEAL II	PTFE
27	VALVE ROD SEAL III	PTFE + CARBON
28	VALVE BODY	CF8M

### DESCRIPTION

- **Maintenance free** and easy installation.
- **Low energy consumption.**
- **Long service life** due to the construction.
- **ATEX and CE certificates** are supplied.
- **Low resistance, no water hammering.**
- **Threaded ends and welded ends** BSPP, SMS3008, DIN 11850-2, DIN 11850-3 and ISO 4200.
- **Various applications** such as construction, textile, medical, foodstuffs, chemical and disinfection.
- **Suitable for medias** such as water, natural gas, steam (max. 180°C) as well as mildly corrosive gas-es and liquids.

**DIMENSIONS**



**THREADED ENDS**

DIM	ACTUATOR [MM]	A [MM]	C [MM]	G [INCH]	K [MM]	L [MM]	SW [MM]	R [MM]	T [MM]
1/2"	50	131	60.0	1/2"	124	68	27	33	15
3/4"	50	136	60.0	3/4"	128	75	32	33	16
1"	50 63	145 169	60.0 75.0	1"	136 162	90	40	33 41	17
1 1/4"	63	187	75.0	1 1/4"	174	116	50	41	21
1 1/2"	63	187	75.0	1 1/2"	175	116	56	41	21
2"	63	201	75.0	2"	183	138	69	41	22

**WELDED ENDS**

DIM	ACTUATOR [MM]	HA [MM]	C [MM]	ØD [MM]	K [MM]	HL [MM]	S [MM]	R [MM]
DN20	50	142	60.0	25.0	128	95	1.2	33
DN32	63	200	75.0	33.7	174	145	1.2	41
DN40	63	206	75.0	38.0	175	160	1.2	41
DN50	63	224	75.0	51.0	183	175	1.2	41

**VALVE DATA**

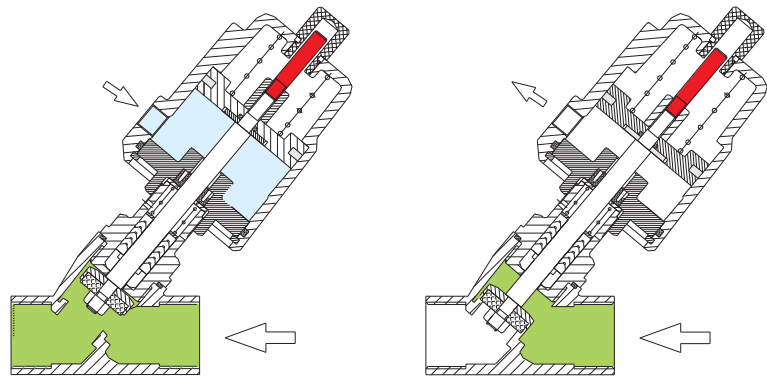
DIM	ACTUATOR [MM]	BORE [MM]	KV-VALUE [M <sup>3</sup> /H]	MAX. PRESSURE ΔP [BAR] ABOVE SEAT   MAX. BACK PRESSURE	MIN. CONTROL PRESSURE [BAR]	WEIGHT [KG]
1/2"	50	13	4.7	16   14	3.0	1.02
3/4"	50	18	9.5	16   7	3.0	1.12
1"	50 63	24	18.1	16   1 16   5	3.0 3.0 - 4.5	1.47 2.07
1 1/4"	63	31	23.1	16   1	3.0 - 4.5	2.68
1 1/2"	63	35	32.9	16   1	3.0 - 4.5	2.81
2"	63 90	45	52.8	12   not available 16   not available	3.0 2.5	3.80 5.36

**ENTER BELOW SEAT!**

For specific dimensions, the Type 3500 angel seat valve can be used with pressure below the seat, though only at the listed pressures (max. back pressure). If the pressure increases, the medium may open the valve.

If the valve is intended for use with flow entering below the seat, the valve is fitted with a more powerful spring return actuator. Note that enter below seat has a tendency to prevent water hammering.

Kindly contact DVC if you have any questions.



SPRING RETURN, NC, FLOW ABOVE SEAT